

Overview and Applications

The SVG (Single Valve Gate) system gives you precise control at the gate to achieve optimal moulding conditions. This makes the SVG ideal for applications requiring high cosmetic gate finish, fast flow rates, large volume parts and dimensional accuracy.

Features

Mould Design

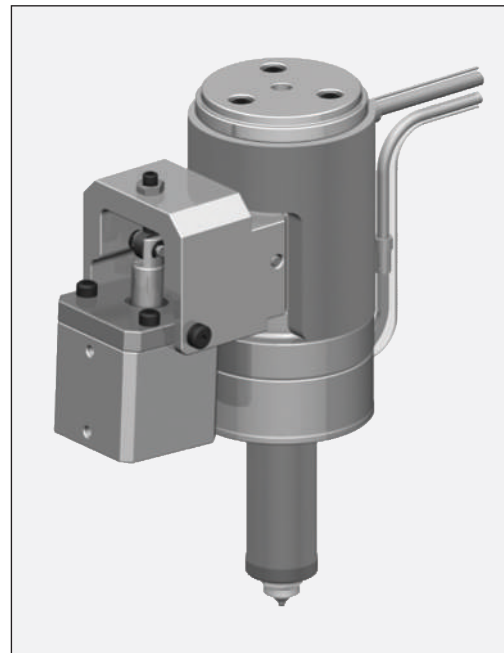
- Available for use with BX16, BX19 & BX27 series nozzles
- Shares the same gate profiles as X range nozzles
- Easy machining of pockets

Operation

- Separate heaters for maximum temperature control
- Reduced moulding pressure
- Increased moulding window
- Lower mould filling stress results and better part quality
- Reduced gate cooling requirements

Installation and Maintenance

- Simple installation
- Easy pin adjustment
- Replaceable pin and seal
- X range tip and nut option



Nozzle Compatibility			
	16 Series	19 Series	27 Series
	BX	BX	BX
L Nozzle	55		—
	65		—
	75		
	95		
	115		
	145		

All measurements are in millimeters

Valve Gate Assembly			
	16 Series	19 Series	27 Series
	BX	BX	BX
Model	SVG 33		
Actuation Type	Pneumatic		
Pin Size	2.5	3.0	5.0
Stroke	10		
OL SVG	138	141	146

