

Air Poppets

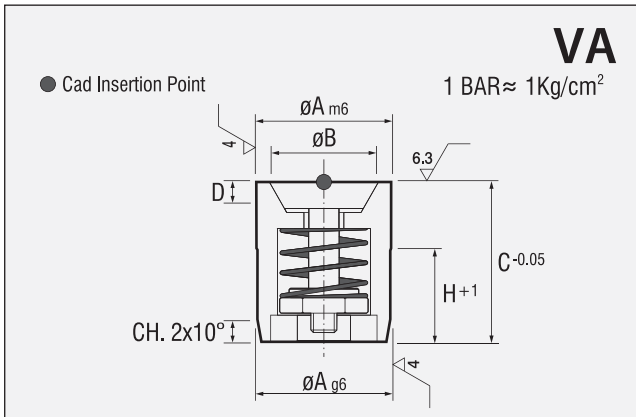


Mat.: INOX. 1.4034
 Hardened 51 ± 3 HRC
 Working pressure 1.5-6 BARS

Helps part ejection with air. FV has a filter incorporated. VD Allows venting. Wide range of diameters. Offers a standard solution to the moulder

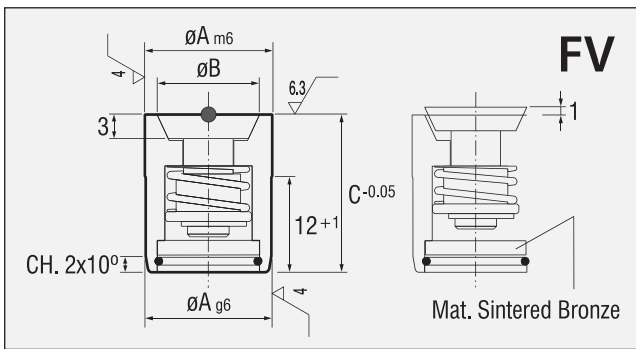
Standard Air Poppets

Ref.	A	B	C	D	E	H
CVA.050412	5	3	12	1.5	4	7
CVA.065212	6	5.2	12	1.5	4	7
CVA.086512	8	6.5	12	1.5	4	7
CVA.100812	10	8	12	2	8	7
CVA.121012	12	10	12	2.5	10	7
CVA.161320	16	13	20	3	12	12
CVA.201720	20	17	20	3.5	16	12

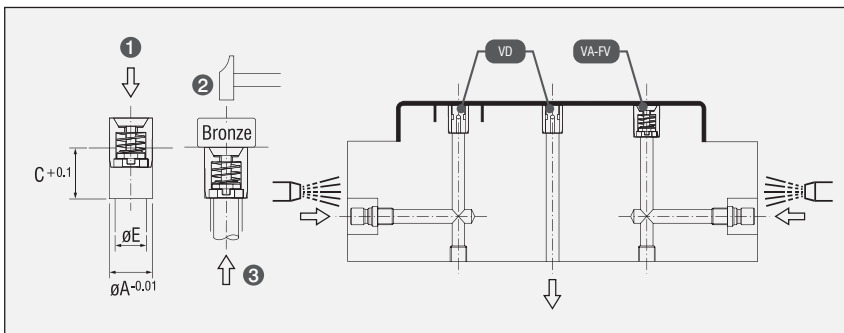
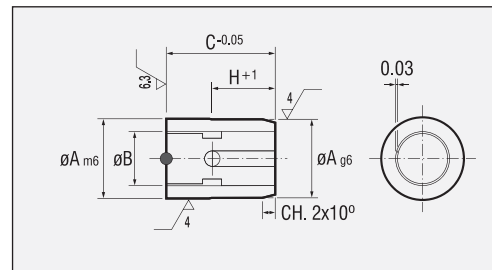


Filter Valve

Ref.	A	B	C	E
CFV.161320	16	13	20	14
CFV.201720	20	17	20	18



Double Valve



Ref.	A	B	C	E	H
CVD.080512	8	5	12	4	7
CVD.100612	10	6	12	5	7
CVD.120812	12	8	12	7	7
CVD.161020	16	10	20	9	12