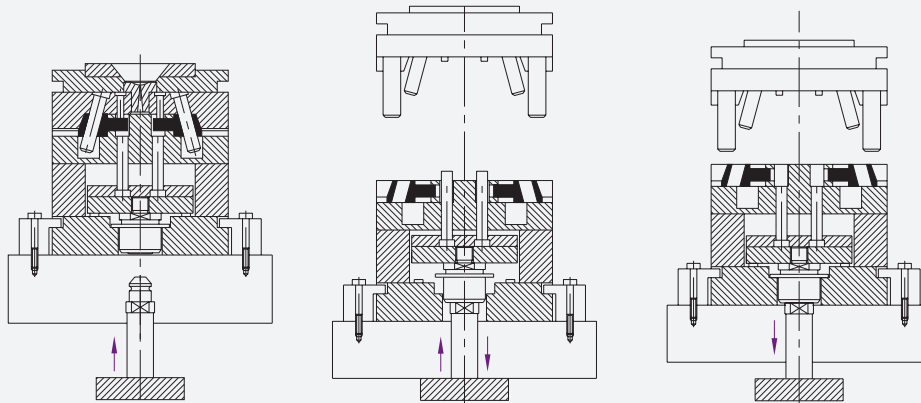


**Mould Closed
Material Injected**

**Mould Open-Coupler
Engages & Pushes Forward**

**Coupler and Bars Pull
Back the Ejector Plate**



Coupler									
Product Code	Thread	F	G	H	I	J	K	L	M
302M12COUP	12x1.75	34	32	32	39	43	9	15	42.5
402M16COUP	16x1.5	40	38	38	48	53	13	15	52
402M162COUP	16x2	40	38	38	48	53	13	15	52
402M20COUP	20x1.5	40	38	38	48	53	13	15	52
412M16COUP	16x1.5	58	56	52	65	70	17	18	68

Barbs				
Product Code	Thread	C	D	E
301M12BARB	12x1.75	22.8	20	45.5
401M16BARB	16x2	25.8	20	55
401M20BARB	20x2.5	25.8	20	55
411M16BARB	16x2	35	35	68