



## TUNNEL GATE INSERTS

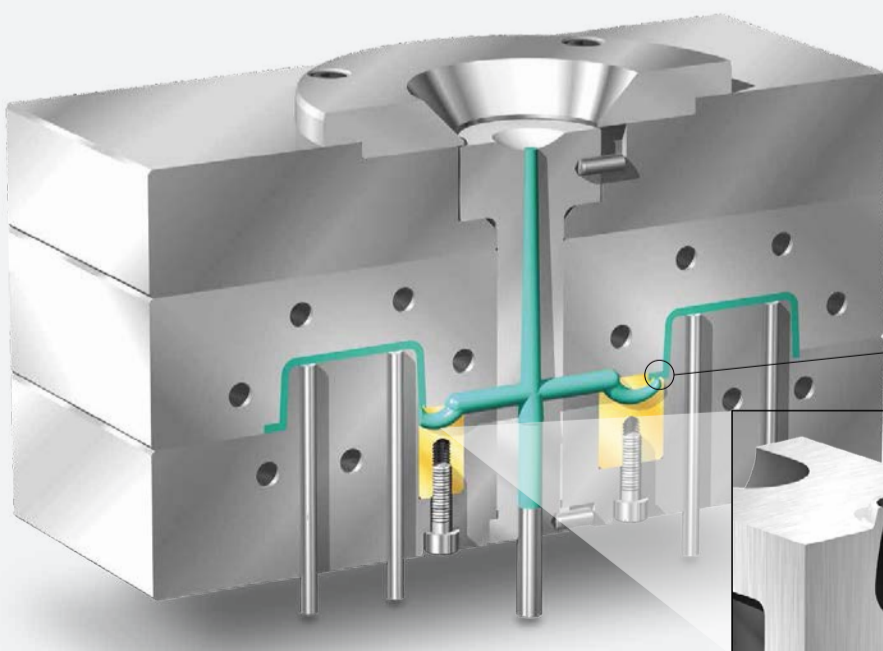


i-mold tunnel gate inserts are recognized worldwide as innovative products with high cost-reducing potential for moldmakers and molders.



### WHY USE TUNNEL GATE INSERTS?

- Time and cost reduction thanks to fast and easy application
- Made of highly wear-resistant hot work tool steel M2 (1.3343)
- High degree of reliability in production process
- Suitable for all plastics thanks to optimized feed channel geometry - up to 60 % filler content (e.g. glass fibre) is possible.
- Use of MIM process ensures smooth feed channels and exact gate sizes



- > Single-part design for compact dimensions
- > Available in many different versions and sizes
- > Invisible gate marks through underside gating
- > Integrated cutting edge for exact sprue separation
- > Use of MIM process ensures smooth feed channels and exact gate sizes