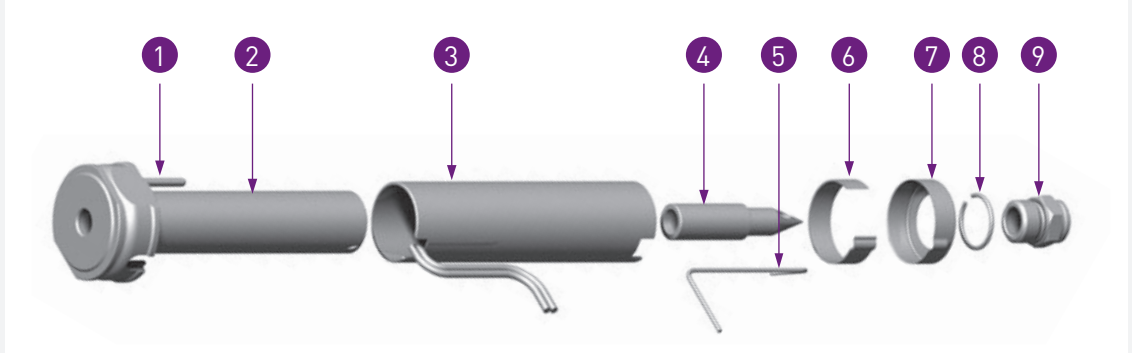




SPARE PARTS STOCKED IN SINGAPORE

MX REPLACEMENT PARTS

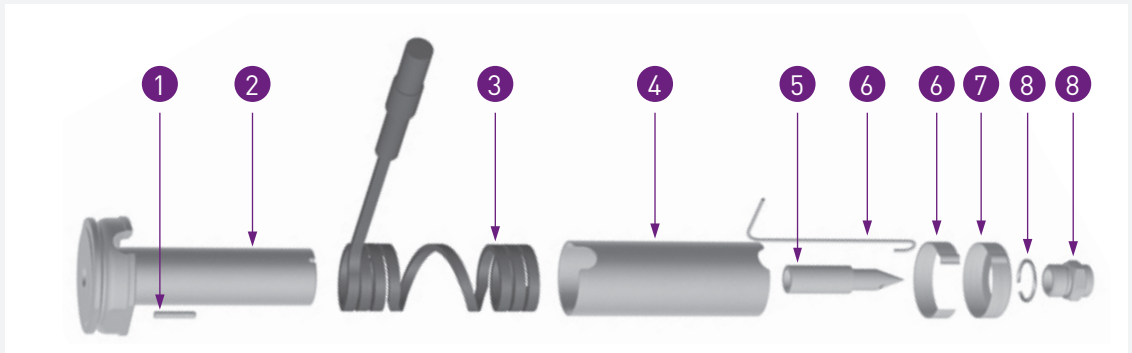


- 1 - Dowel Pin
- 2 - Body
- 3 - Heater

- 4 - Tip
- 5 - Thermocouple (T/C)
- 6 - T/C Clip

- 7 - Heater Cap
- 8 - Retaining Clip
- 9 - Open Nut

BX REPLACEMENT PARTS



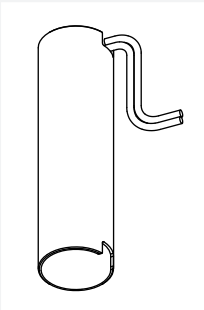
- 1 - Dowel Pin
- 2 - Body
- 3 - Heater

- 4 - Heater Cover
- 5 - Tip
- 6 - Thermocouple (T/C)

- 6 - T/C Clip
- 7 - Heater Cap
- 8 - Retaining Clip

- 8 - Open Nut

MX HEATERS

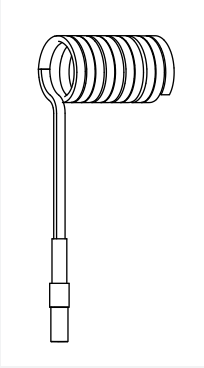


Product Code	Series	Nozzle Length
MX13045HFS	13	45
MX13055HFS	13	55
MX13065HFS	13	65
MX13075HFS	13	75
MX13095HFS	13	95
MX13115HFS	13	115
MX13145HFS	13	145
MX13175HFS	13	175

Product Code	Series	Nozzle Length
MX16045HFS	16	45
MX16055HFS	16	55
MX16065HFS	16	65
MX16075HFS	16	75
MX16095HFS	16	95
MX16115HFS	16	115
MX16145HFS	16	145
MX16175HFS	16	175

Product Code	Series	Nozzle Length
MX19055HFS	19	55
MX19065HFS	19	65
MX19075HFS	19	75
MX19095HFS	19	95
MX19115HFS	19	115
MX19145HFS	19	145
MX19175HFS	19	175

BX HEATERS

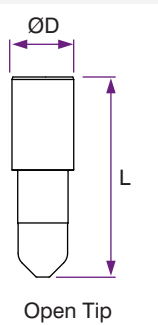
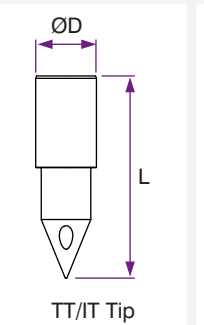


Product Code	Series	Nozzle Length
X13045H	13	45
X13055H	13	55
X13065H	13	65
X13075H	13	75
X13095H	13	95
X13115H	13	115
X13145H	13	145
X13175H	13	175
X16045H	16	45
X16055H	16	55

Product Code	Series	Nozzle Length
X16065H	16	65
X16075H	16	75
X16095H	16	95
X16115H	16	115
X16145H	16	145
X16175H	16	175
X19055H	19	55
X19065H	19	65
X19075H	19	75
X19095H	19	95

Product Code	Series	Nozzle Length
X19115H	19	115
X19145H	19	145
X19175H	19	175
X27075H	27	75
X27095H	27	95
X27115H	27	115
X27145H	27	145
X27175H	27	175
X27225H	27	225
X27275H	27	275

TIPS



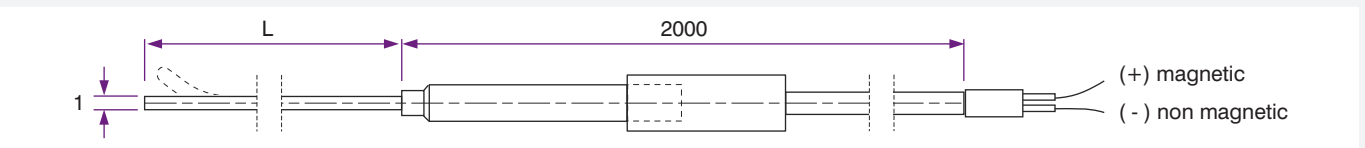
*G5 TT/IT tips are in two pieces: packer and tip. The total length of the two pieces is the same as the Standard TT/IT tip.

Std = Standard

Ext = Extended

Series	ØD	L Standard TT/IT Tip*	L Extended+5 TT/IT Tip	L Extended+10 TT/IT Tip	L Open Tip	L Standard TV Tip	L Standard OV Tip
13	8.5mm	37.5mm	42.5mm	47.5mm	36.5mm	-	-
16	10.5mm	40.0mm	45.0mm	50.0mm	38.75mm	37.2mm	37.75mm
19	13.5mm	44.5mm	49.5mm	54.5mm	43.3mm	41.35mm	42.3mm
27	20.0mm	59.0mm	-	69.0mm	57.4mm	55.0mm	55.8mm

THERMOCOUPLES



13 Series	16 Series	19 Series	27 Series	DIN43714 Thermocouple Order Code	ANSI 96.1 Thermocouple Order Code
13045	16045	-	-	XTCG1X090X2	XTCGA1X090X2
13055	16055	19055	-	XTCG1X090X2	XTCGA1X090X2
13065	16065	19065	-	XTCG1X120X2	XTCGA1X120X2
13075	16075	19075	27075	XTCG1X120X2	XTCGA1X120X2
13095	16095	19095	27095	XTCG1X150X2	XTCGA1X150X2
13115	16115	19115	27115	XTCG1X150X2	XTCGA1X150X2
13145	16145	19145	27145	XTCG1X180X2	XTCGA1X180X2
13175	16175	19175	27175	XTCG1X200X2	XTCGA1X200X2
-	-	-	27225	XTCG1X300X2	XTCGA1X300X2
-	-	-	27275	XTCG1X350X2	XTCGA1X350X2

Hales Asia PTE LTD

2 Ang Mo Kio Street 64

#04-03B Econ Industrial Building Singapore 569084

Email info@hales-asia.com.sg

Phone: +65 6754 7077

Fax: +65 6754 7177